

## 2.4G ZigBee LED street light system

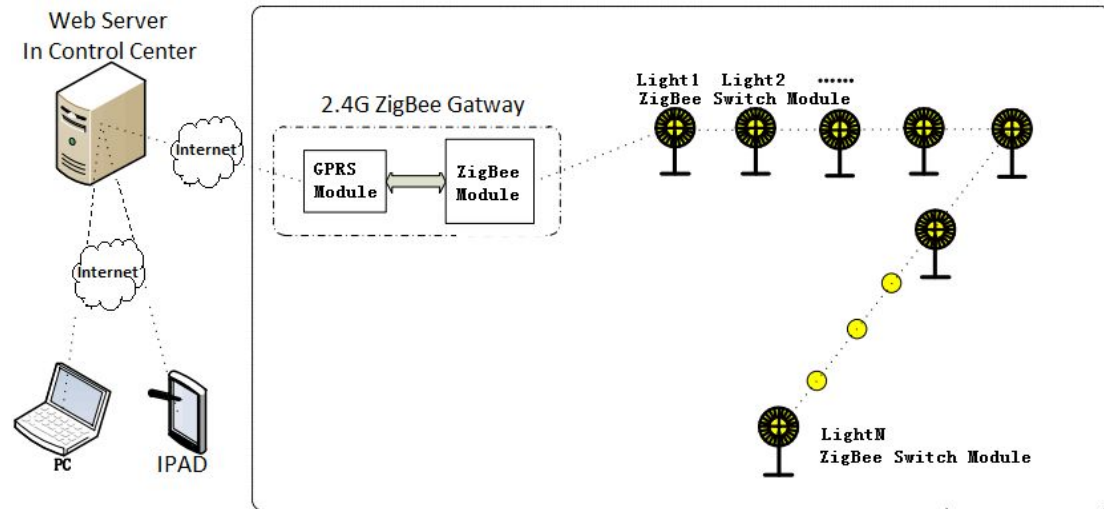
(V2.0)

---

1. System Topology .....	3
2. Hardware Equipment .....	3
2.1 2.4G ZigBee Switch Module .....	3
2.2 ZigBee Gateway .....	4
3. Control Software .....	5
3.1 WEB Service Software in Control Center .....	5
3.2 Manager Operation .....	6

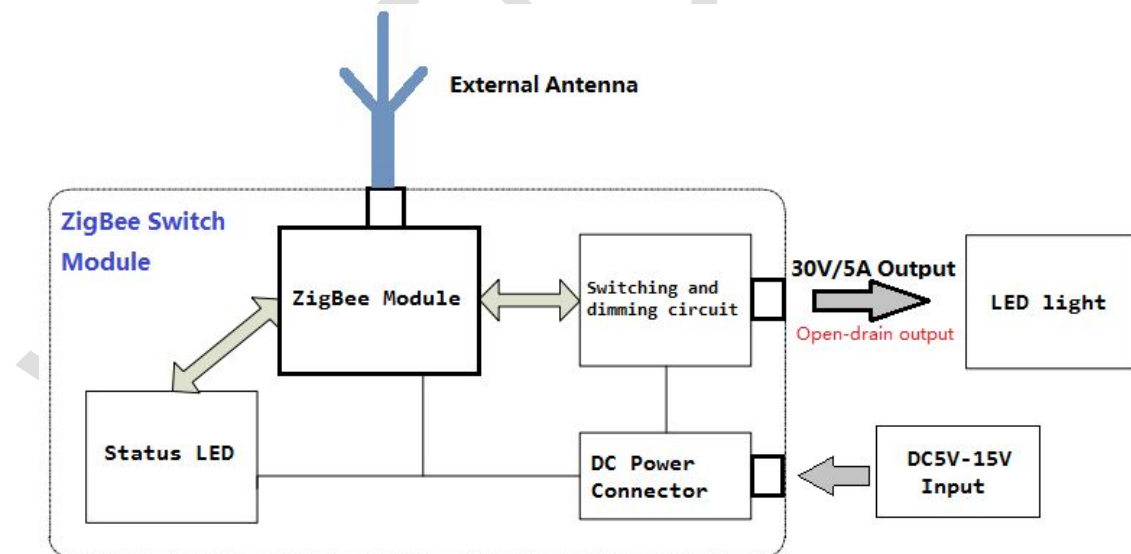
VONETS.COM

## 1. System Topology



## 2. Hardware Equipment

### 2.1 2.4G ZigBee Switch Module

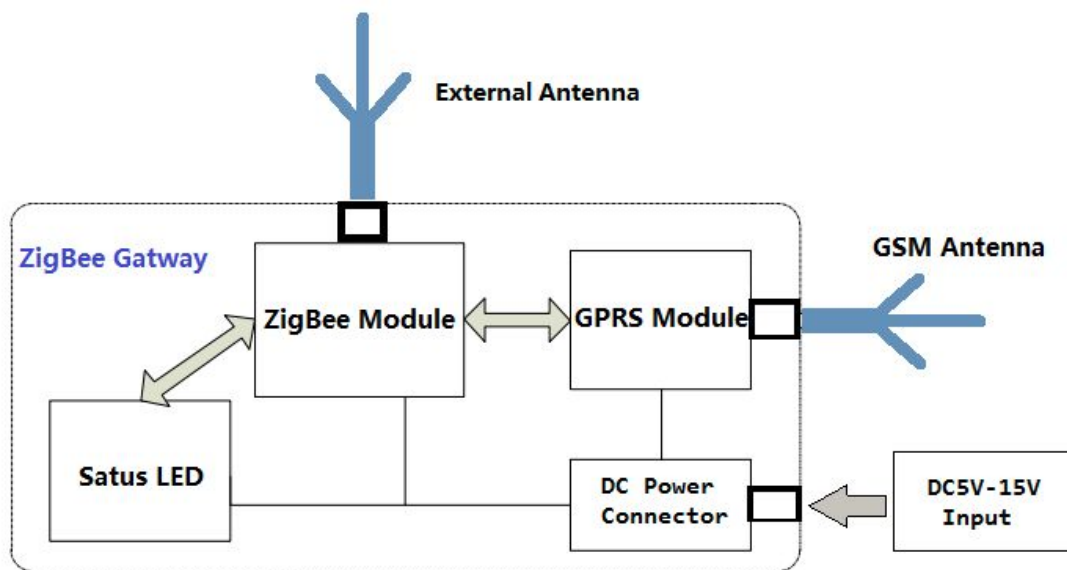


Barrier-free transmission distance is greater than 500 meters

Note: Appearance can be customized



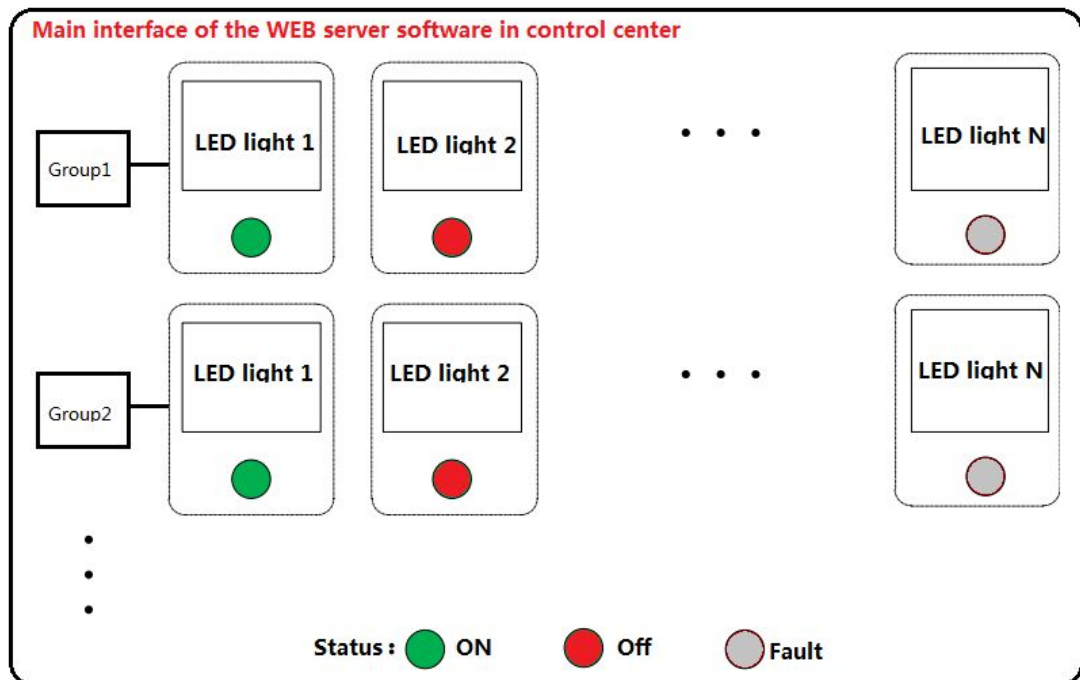
## 2.2 ZigBee Gateway





### 3. Control Software

#### 3.1 WEB Service Software in Control Center



### 3.2 Manager Operation

Administrators can remotely log WEB Service software in Control Center by smartphone or PC,real-time monitoring and control node.

VONETS.COM