



VAR5G Product Specification

VRP5G is a professional dual band WiFi router that is elaborately developed by HouTian Network, can work both for 5G and 2.4G, it is a high performance business WiFi router, WiFi transmission power of 5G band is up to 25dbm, the WiFi received sensitivity is up to 14dbi. It is also with WiFi repeater and bridge function, the original creation D/A temperature compensated auto frequency control technology (TAFC), it solved the common failing of the traditional WiFi signal or WiFi products that easily drop the network, make sure the lasting stability that the WiFi signal is not dropped.

In the software operation, Houtian network uphold the consistent simple, user-friendly design, abandoned the verbose of IP setup for traditional wireless router, and supports IE browser configuration, on the steps, it is even more concise, no redundant operations, which greatly facilitates the use of different levels of user.

1. Main Function Feature :

- Support both 2.4G and 5G band;
- 2.4G transmission power is 13dbm-14.5dbm, 5G transmission power is 22-25dbm;
- 2.4G EVM is less than 32, 5G EVM is less than 30;
- Adopt the original creation D/A temperature compensated auto frequency control technology, make sure the lasting stability that the WiFi signal is not dropped;
- Original creation VDNS virtual domain configuration technology to solve the user's trouble of configuration;
- **Support two kinds of power supply, DC5V/3A power supply and POE power supply, the high performance DC power supply is included in the original factory;**
- Support WiFi router and WiFi intelligent bridge mode;
- In WiFi intelligent bridge mode, WiFi bridge mode type can be intelligently controlled:
 - WiFi AP client (can be used for WiFi to Wired Ethernet access);
 - WiFi hot spot (it is suit for hotel room use);
 - WiFi signal repeater (it can be used to extend WiFi signal coverage range, environmental and safe)
- In WiFi intelligent bridge mode, supports WiFi hot spots scan automatically and WiFi hot spot memory function;



- In WiFi router mode, 1WAN and 1LAN, two ports can be exchanged;
- Support 802.11ac, 802.11n WiFi transmission protocol;
- WiFi Transmission rate: 2.4G 300Mbps, 5G 450Mbps;
- 2.4G no barrier point to point transmission distance is 100m, 5G no barrier point to point transmission distance 500 m;
- Good compatibility, almost compatible with all smart phones, tablet PCs, laptops, Internet and other WiFi devices.

2. Function characteristic table

Hardware Spec	
Protocol Standard	IEEE 802.11ac, IEEE 802.11g, IEEE 802.11b, IEEE 802.11n technology;
WiFi transmission rate	300Mbps+450Mbps
Interface	2 10/100M Adaptive Ethernet female port (1 WAN/LAN, 1 LAN, in router mode, they can be exchanged); WAN/LAN port supports POE power; 1 Micro USB power interface; (Tips: Micro USB and POE can't be powered at the same time, or it may destroy the device)
Button	Reset button (Long press 5s, then release)
Status indicator Light	Status indication: WAN/LAN Status indicator light: Green Light; LAN Status indicator light: Green Light; Hot spot connection status light: Green Light; WiFi Status Light: Blue Light
Antenna	2.4GBuilt-in Smart omnidirectional antenna 5G external antenna
Size	VAR5G product: 110mm x 110 mm x 5mm (L x W x H); Weight: 75g Power supply: 5.5mm x 4.5mm x 2.5mm (L x W x H); Weight: 67g
Weight (Including Package)	234g

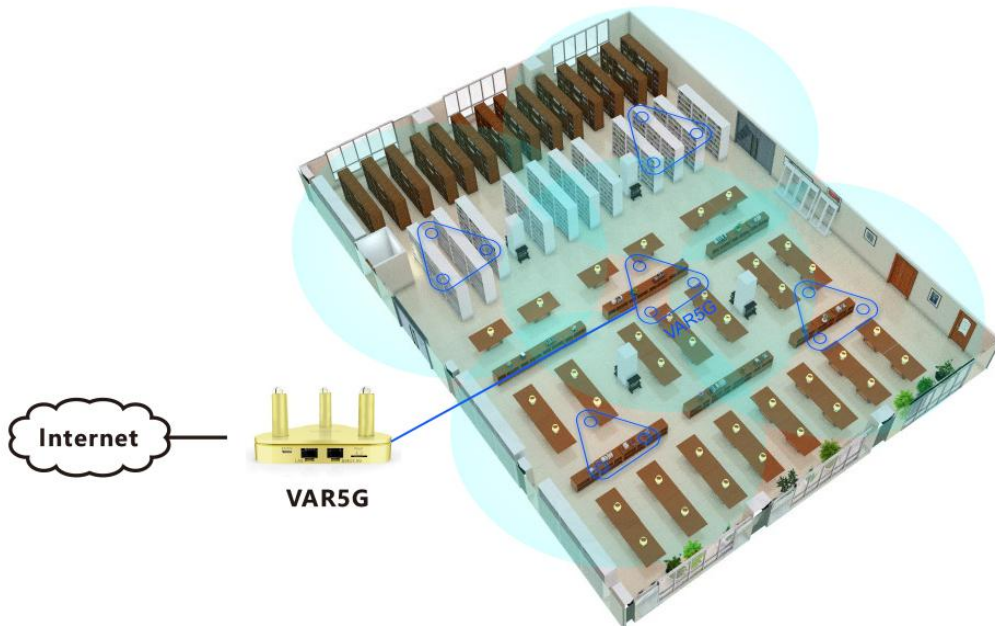
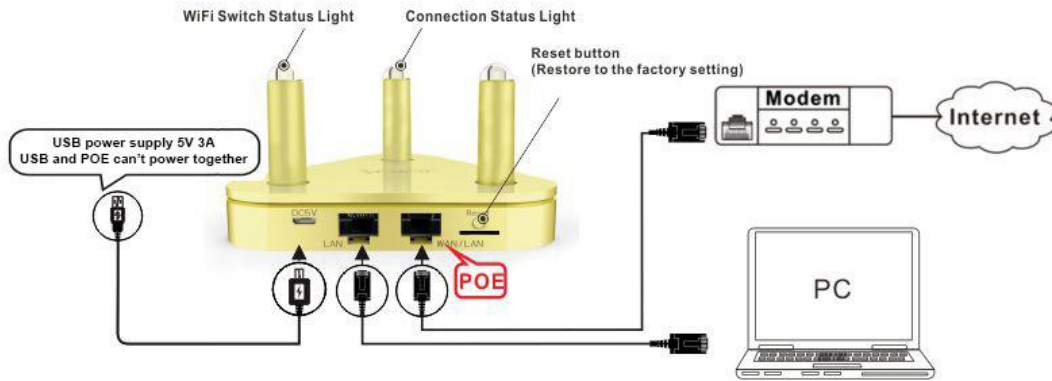
WiFi related	
Basic Function	WiFi switch; SSID broadcast switch;

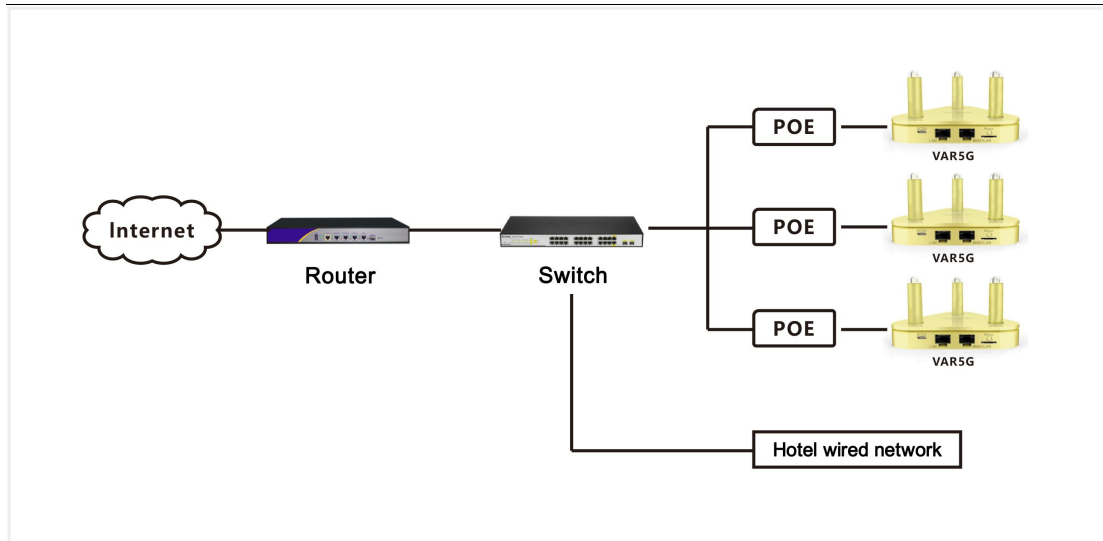


	<p>2.4G channel option: 1-14 (default is 7);</p> <p>5G channel option: 36.40.44.48.52.56.60.64.100.104.108.112.116.120.124.128.132.136.140.149.161.165(default is 149);</p> <p>WiFi mode option: 11n only, 11 bgn mixed, 11 bg mixed, 11g only, 11b only;</p> <p>WiFi hot spot scan automatically;</p> <p>WiFi hot spot memory.</p>
Work Mode	<p>WiFi intelligent bridge:</p> <p>AP Station (WiFi hot spot) mode, suit for hotel room;</p> <p>AP Client (WiFi client), suit for IPTV and STB;</p> <p>Repeater (WiFi signal repeater) mode, can extend WiFi transmission distance;</p> <p>WiFi Router mode.</p>
WiFi Security	<p>WiFi MAC address filter;</p> <p>WiFi security function switch;</p> <p>64/128/WEP encryption;</p> <p>WPA-PSK/WPA2-PSK、WPA/WPA2 mechanism;</p>

Wired Related	
WAN setting	<p>WiFi router mode:</p> <p>WAN port connection type support: PPPoE, Dynamic IP, Static IP, L2TP, PPTP DDNS Client;</p> <p>DDNS Client;</p>
Firewall	<p>WiFi router mode:</p> <p>IP and MAC address binding against ARP attacks (WiFi router mode support);</p> <p>IP address filter (WiFi router mode support);</p> <p>Domain filter (WiFi router mode support);</p> <p>Mac address filter (WiFi router mode support).</p>
Forward rules	<p>Port forwarding (WiFi router mode support);</p> <p>Virtual Service (WiFi router mode support);</p> <p>DMZ Host (WiFi router mode support);</p>
System function	<p>Firmware upgrade</p> <p>Device reboot</p> <p>Reset factory</p> <p>Administrate account and password revise</p>

3. Application Diagram





4. Shape structure

Model :	VAR5G
Color :	Golden
WiFi function :	Router, repeater and bridge
WiFi Frequency :	2.4G 5G
Wireless protocol :	802.11ac
WiFi transmission rate :	300M 450M
Product weight :	75g
Product size :	110*110*59mm(L x W x H)
Work Currency :	5V3A , POE power supply

